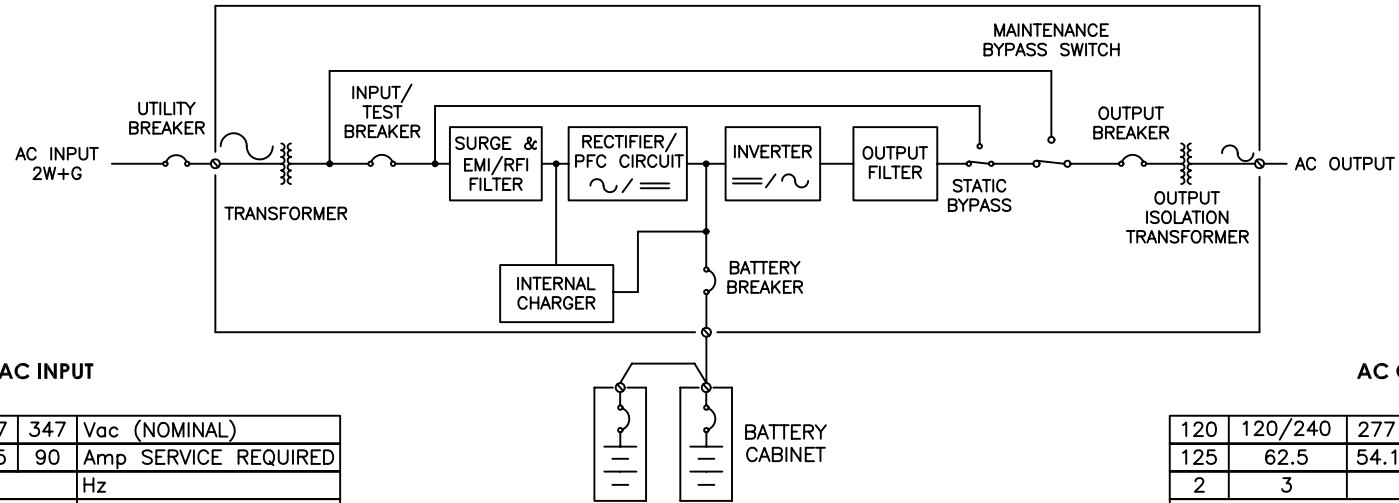


EMERGENCY LIGHTING INVERTER



AC INPUT

| | | | | |
|-----|-----|-----|-----|----------------------|
| 208 | 240 | 277 | 347 | Vac (NOMINAL) |
| 150 | 125 | 125 | 90 | Amp SERVICE REQUIRED |
| 60 | | | | Hz |
| 1 | | | | PHASE |
| 2 | | | | WIRE PLUS GROUND |

AC OUTPUT

| | | | | |
|-----|---------|------|------|------------------|
| 120 | 120/240 | 277 | 347 | Vac (NOMINAL) |
| 125 | 62.5 | 54.1 | 43.2 | Amps |
| 2 | 3 | 2 | | WIRE PLUS GROUND |
| 60 | | | | Hz |
| 1 | | | | PHASE |

BTU RATING

BTU 9570
KW 2.84

BATTERY DATA

BATTERIES: Always On

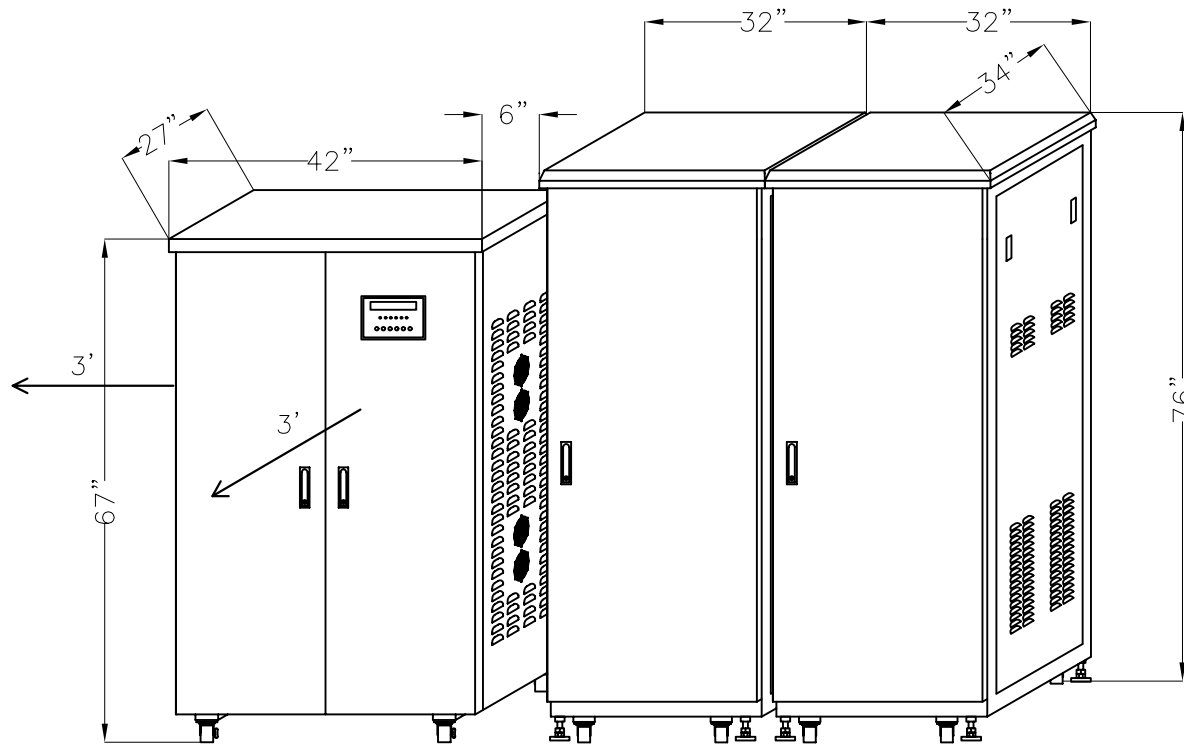
TYPE: VRLA

RUN TIME: 90, 120 MINUTES

STANDARD

F.A. CONTACTS
AS400 CARD

| | | | |
|--|--------------|---|-----------------|
| Always On UPS Systems Inc. | | Kelowna B.C. alwayson.com PH:877-259-2976 | |
| AURORA 15KW SINGLE LINE 90/120 MINUTE BBU | | Reproduction and/or use without express permission is prohibited by law. | |
| FILE: AURORA 15KW 90_120MIN | | VERSION: 1.0 | DRAWN BY: HL |
| PAGE: 1/2 | DATE: 080725 | PROJECT: AURORA | DESIGNED BY: AA |



ELI CABINET
42"X27"X67"

BATTERY CABINET
32"X34"X76"

BATTERY CABINET
32"X34"X76"

WEIGHT

ELI CABINET 1676LBS / 760KG

BATTERY CABINET 2X (LBS/KG)

| | |
|-----------|-----------|
| 90MIN | 120MIN |
| 2214/1004 | 2776/1259 |

STANDARD

DRIP SHIELD

| | | |
|--|--------------|---|
| Always On UPS Systems Inc. | | Kelowna B.C. alwayson.com PH:877-259-2976 |
| AURORA 15KW DIMENSION 90/120 MINUTE BBU | | Reproduction and/or use without express permission is prohibited by law. |
| FILE: AURORA 15KW 90_120MIN | VERSION: 1.0 | DRAWN BY: HL |
| PAGE: 2/2 | DATE: 080725 | PROJECT: AURORA |
| | | DESIGNED BY: AA |